



# HFL-5000 Touch Free Handwashing System

Item #: \_\_\_\_\_  
 Model #: \_\_\_\_\_  
 Project #: \_\_\_\_\_  
 SIS #: \_\_\_\_\_



**MICROGARD**®



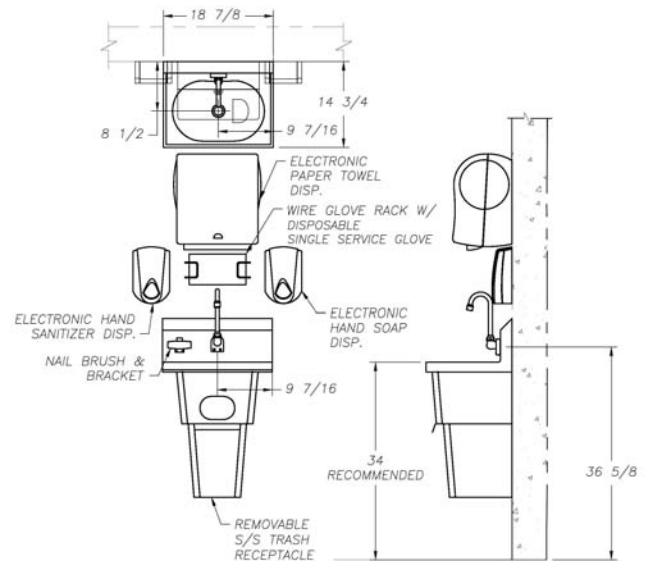
#HFL-5000 with towel dispenser, soap dispenser, hand sanitizer dispenser and glove box holder

model #	list
HFL-5000	2806

**HFL-5000 Components:**

- **Eagle** hand sink model #HSA-10-FE-B-T-NB-MG with MICROGARD® antimicrobial protection.
- **T&S** electronic eye faucet, splash mounted with battery and AC adapter for dual operation - with AC adapter plugged in, faucet will automatically switch to AC power and conserve battery power. Eagle part #Z1955.
- **Purell** hand sanitizing dispenser with usage counter model #2120-06 with signal #2109-01.
- **Gojo** hand soap dispenser with usage counter model #5150-06 with signal #5109-01.
- **Georgia Pacific** automated touchless towel dispenser. Model #59460.
- **FoodHandler** glove rack with single service gloves. Model #11-0012.
- **Tucel** soft bristle white nail brush. Model #1828.

NOTE: Model HFL-5000 by EAGLE is listed under Kochman AutoCad symbol library for foodservice equipment.



Spec sheets available for viewing, printing or downloading from our online literature library at [www.eaglegrp.com](http://www.eaglegrp.com)